

AUSTINTOWN TOWNSHIP
Mahoning County, Ohio

Permit for installing a driveway culvert or making any excavation in a township right-of-way

Applicant's Name, Address, & Phone Number(s)

If approved for a Road Permit pursuant to Ohio Revised Code 5571.16, applicant agrees to the following:

Prior to the work to submit plans indicating the location, size, type, and duration of the culvert or excavation (includes boring) contemplated; methods of excavation, refilling, and resurfacing to be followed.

Material excavated from the trench shall be replaced to a maximum of eighteen (18) inches over the top of the pipe. The remaining portion of the trench shall be backfilled with granulated slag or suitable material to the base of the road. The top of the road shall be constructed of material compatible to the present top. (PERFORM WORK IN ACCORDANCE WITH SPECIFICATIONS ON REVERSE SIDE).

I further agree to have trenches inspected BEFORE backfilling by a duly appointed inspector of AUSTINTOWN TOWNSHIP and that the cut will be resurfaced within one (1) month after cut is made, and will keep the cut at road level until final surface is applied.

During progress of the work, such barriers shall be erected and maintained as may be necessary for the protection of pedestrians and vehicle passengers and the same shall be lighted at night.

The undersigned certifies that prior to commencement of the work I have posted with Austintown Township, a deposit in the sum of \$ _____, or Bond with sureties to the satisfaction of the township, conditioned upon the performance of all conditions in this permit and I agree to indemnify the township against liability or damage as the result of the installation of the culvert or as a result of the excavation.

Location of installation/excavation: _____

Signed & Dated: _____

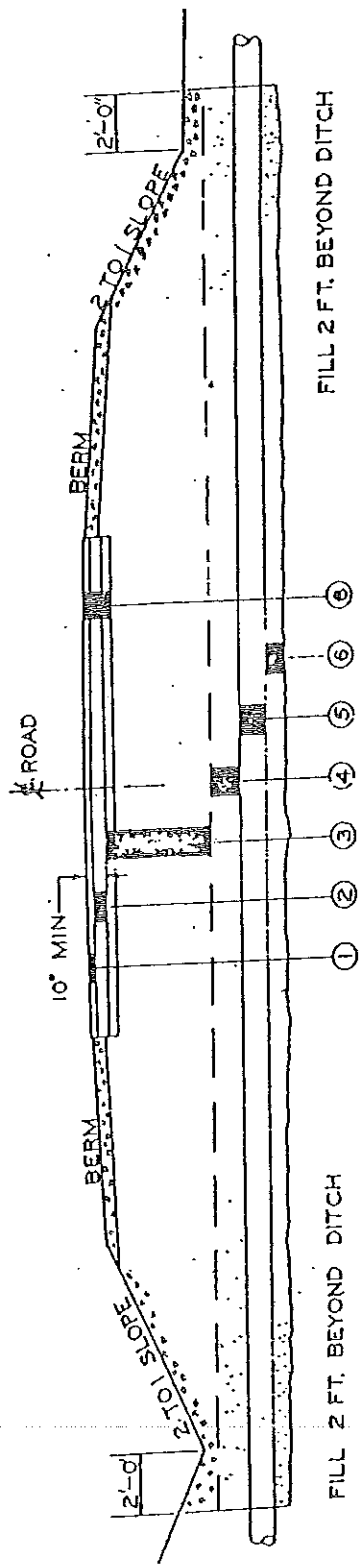
INSPECTION OF WORK

Inspected by: _____ Date: _____

Approved: _____ Disapproved: _____

Reason: _____

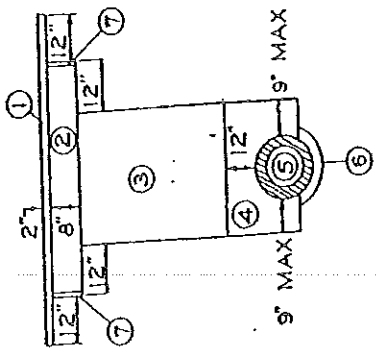
Submit check for \$50.00 payable to: Austintown Township
82 Ohltown Road
Austintown, Ohio 44515



FILL 2 FT. BEYOND DITCH

FILL 2 FT. BEYOND DITCH

- ① 404 ASPHALT CONCRETE OR BITUMINOUS COLD MIX 405
- ② 452 PLAIN CONCRETE PAVEMENT
- ③ 703.08 GRANULATED SLAG OR 703.09 SLACKER AGGREGATE COMPACTED IN 6" MAX. LAYERS
- ④ 703.06 SAND COMPACTED ONE FOOT MINIMUM OR 703.10 SCREENING
- ⑤ UTILITY LINE
- ⑥ BEDDING AS DIRECTED BY ENGINEER
- ⑦ NEATLY CUT JOINT SPRAYED WITH 407 TACK COAT
- ⑧ EXISTING ROADWAY



STANDARD
CONSTRUCTION
DRAWING